

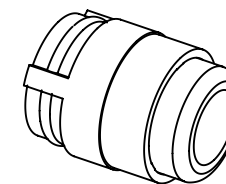
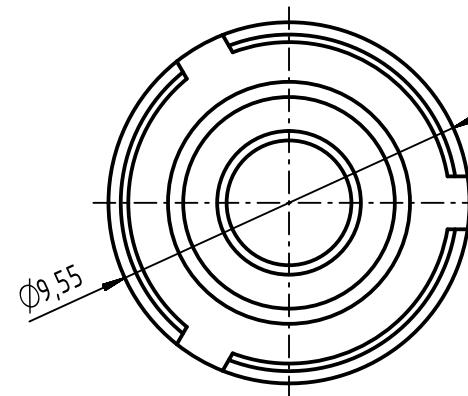
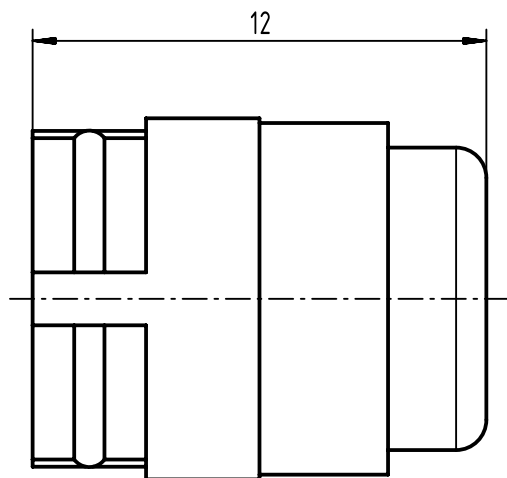
1 2 3 4 5 6


A

B

C

D



	All rights reserved Department EC PD - DE	All Dimensions in mm Original Size DIN A4		Scale 5:1	Free size tol.		Ref. Sub. TB 21 01 010 2001 / EC01875 / 12.05.10		
		Created by HELLMANN	Inspected by WELLMANN	Standardisation SCHREIER	Date 2016-12-21	State Final Release		Doc-Key / ECM-Nr. 100214635/UGD/004/B 500000112761	
HARTING Electronics GmbH D-32339 Espelkamp		Title HARTING M12 sealing insert			Type TB	Number 21010102001		Rev. B	Page 1/1